

Procedure for resetting skylights and registering onto remotes

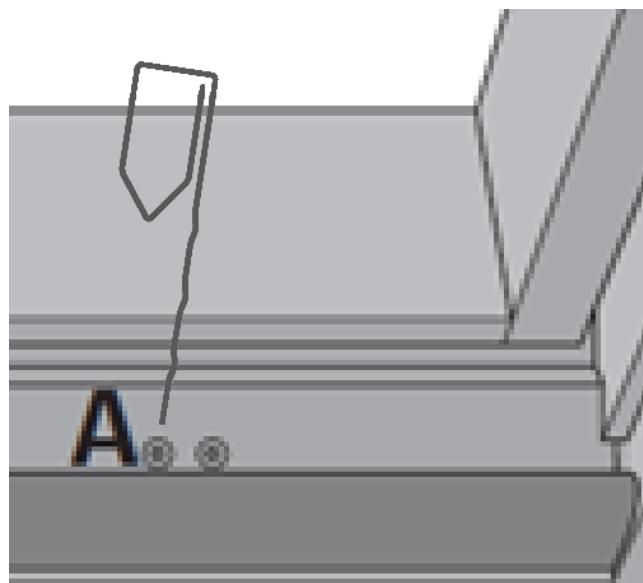
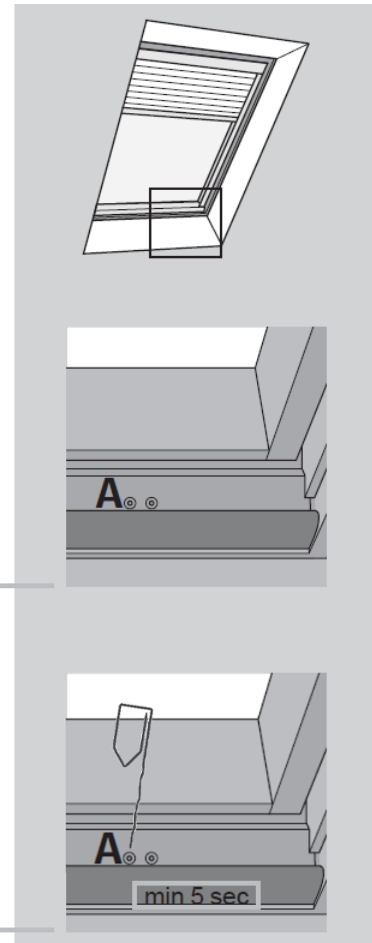
Resetting the skylight

The skylight and all connected electrical products can be reset to remove the present registration and to prepare for a new registration.

When resetting, the button located under the skylight operator cover hole closest to the center of the skylight (**A**) is operated by carefully inserting a pointed object.

To reset the skylight operator and connected electrical products, close the sash by pressing button closest to the center of the skylight (**A**).

When the skylight is closed, press and hold the button closest to the center of the skylight (**A**) for at least 5 seconds. The skylight operator and other electrical products connected to the skylight will run briefly back and forth indicating that they are ready to be registered.



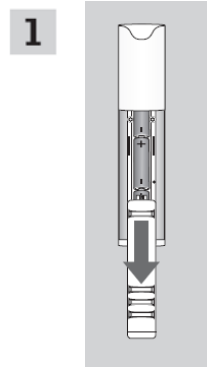
If registering onto a new remote, follow the on-screen instructions or see below for single function keypad. If resetting an existing remote, proceed to next page.

Resetting the remote

KLR 100

The remote control can be reset to its initial factory settings if you want to delete all registered products and all programming and start afresh.

- 1 Slide off the battery cover as shown.

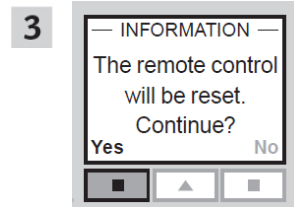


- 2 Press the button on the right side of the remote control with a pointed object for at least 5 seconds.



Replace the battery cover.

- 3 Press "Yes" to confirm that you want to reset the remote control.

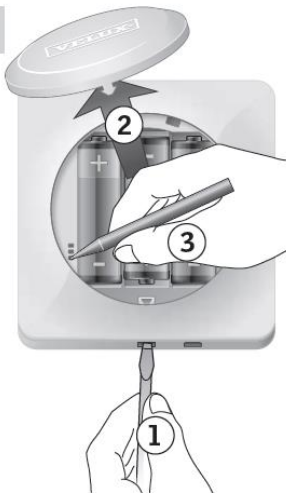


KLR 200 (touchscreen)

- 1 Tap to ensure that the control pad display is on.



- 2 Remove the battery compartment lid by pressing the release button with a screwdriver as illustrated . Press the RESET button on the back of the control pad with a pointed object for at least 5 seconds . Replace lid.



- 3 In the display screen, tap "Yes" to confirm that you want to reset the control pad. The control pad has now been reset. To be able to use it, the products must be registered again.



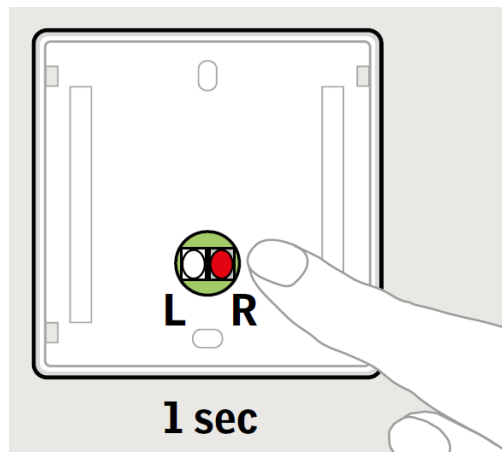
In the display screen, tap "Yes" to confirm that you want to reset the control pad.

The control pad has now been reset. To be able to use it, the products must be registered again.

KLI 110 single function keypad

To register products onto the single function keypad, press the **R** button on the back of the keypad for 1 second.

(button on the right)



KLI 310/311 single function keypad

To register products onto the single function keypad, press the register button for 1 second.

(button on the right)

